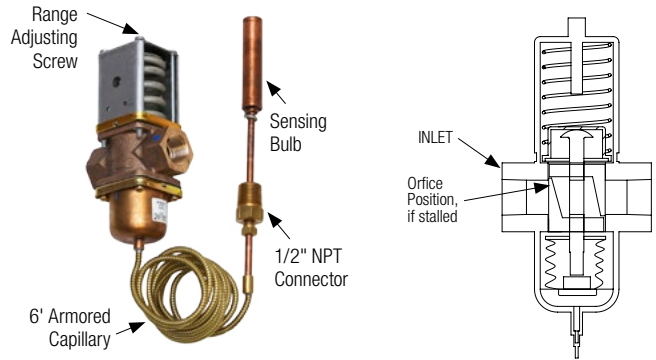


# Modulating Water Valves and Bulb Wells

**APPLICATION:** These modulating valves regulate the flow of water to the heat exchanger to maintain a desired exiting oil temperature. They open automatically when temperature increases at the sensing bulb. **No external power source is required to actuate the valve. Not to be used for salt water service.**

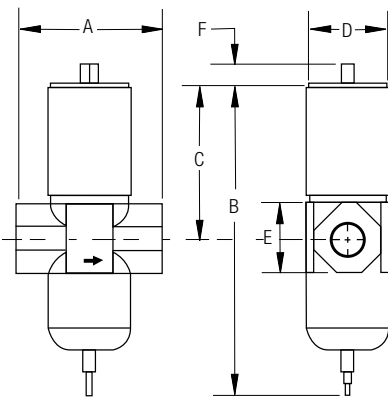
**ADJUSTMENT:** 1/2" to 1 1/4" valves can be adjusted with a screwdriver, 1 1/2" and 2" have a 1/2" square shaft. Turn the adjusting screw clockwise to **decrease** opening temperature; and counterclockwise to **increase** opening temperature. Valves are not calibrated, so final desired temperature setting must be established experimentally. Valve is fully open 36°F above opening point.



Part Number	Water Valves				Bulb Well Recommended Size
	Pipe Size (NPT)	Range (Opening Point)	Sensing Bulb Size Diameter X Length	Maximum Water Flow	
65293	1/2"	115°F to 180°F	11/16" x 3 1/4"	25 GPM	65140
65127	3/4"	115°F to 180°F	11/16" x 3 1/4"	40 GPM	65140
65128	1"	115°F to 180°F	11/16" x 6"	55 GPM	65141
65146	1 1/4"	115°F to 180°F	11/16" x 6"	75 GPM	65141
65511	1/2"	75°F to 135°F	11/16" x 10"	25 GPM	65280
65253	3/4"	75°F to 135°F	11/16" x 10"	40 GPM	65280
65254	1"	75°F to 135°F	11/16" x 16 1/4"	55 GPM	67438
65255	1 1/4"	75°F to 135°F	11/16" x 16 1/4"	75 GPM	67438
66100	1 1/2" ASME	75°F to 135°F	11/16" x 16 1/4"	90 GPM	67438
67173	2" ASME	75°F to 115°F	11/16" x 43"	150 GPM	67808

Working pressure to 150 PSI Maximum. \*For additional protection of the bulb well stem, use the next longer bulb well.

## Water Valves



Valve Size	Dimensions (Inches)						Approximate Shipping Weight (LBS)
	A	B	C	D	E	F	
1/2"	3/4	7	3 3/8	1 27/32	1 1/2	1 1/2	4.3
3/4"	3 3/16	7 29/64	3 51/64	2 1/32	1 3/4	1 3/2	5.8
1"	4 27/32	10 13/16	5 31/64	2 5/8	2	1/2	10
1-1/4"	4 59/64	10 37/64	5 43/64	2 5/8	2 3/8	1/2	12
1-1/2"	5 1/16	10 37/64	5 43/64	2 5/8	See Flange below	1/2	18
2"	6 5/8	12 33/64	6 15/32	3 1/2		1/2	27

Valve Size	Flange Specifications (Inches)			
	Number of Bolt Holes	Bolt Hole size	Bolt Circle	Flange Diameter
1/2"	4	5/8	3 3/8	5
2"	4	5/8	4 3/4	6

Standard temperature elements are furnished with 6' capillary. Longer capillary lengths not available. Valve Disc: Buna N in brass disc retainer.

# Modulating Water Valves and Bulb Wells

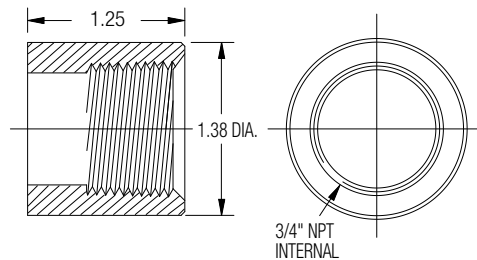
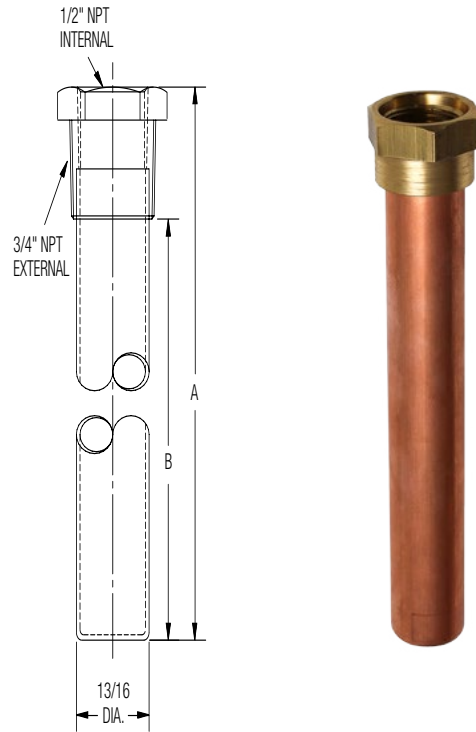
## Bulb Wells

Bulb Well Part Number	Dimensions In Inches		Approximate Shipping Weight (LBS)	Materials
	A	B		
65140	4 <sup>15</sup> / <sub>32</sub> "	3 <sup>15</sup> / <sub>32</sub> "	1	Tube: Copper Fitting: Brass
65141	7 <sup>1</sup> / <sub>32</sub> "	6 <sup>1</sup> / <sub>32</sub> "	1	
65280	11 <sup>1</sup> / <sub>32</sub> "	10 <sup>1</sup> / <sub>32</sub> "	1	
67438	17 <sup>15</sup> / <sub>32</sub> "	16 <sup>15</sup> / <sub>32</sub> "	1	
67808	44 <sup>3</sup> / <sub>8</sub> "	43 <sup>3</sup> / <sub>8</sub> "	1	

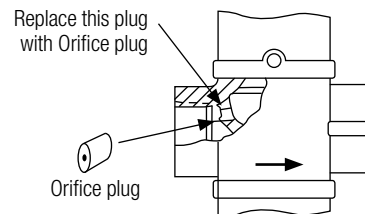
Custom Bulb Well lengths available. Consult factory for additional information.

Water Valve Part Number	By-Pass Orifice Diameter	Maximum Bulb Temperature °F	Opening Temperature (Factory Setting) °F
65293	.062"	200	135
65127	.062"	200	135
65128	.093"	200	135
65146	.093"	200	135
65511	.062"	155	103

Water Valve Part Number	By-Pass Orifice Diameter	Maximum Bulb Temperature °F	Opening Temperature (Factory Setting) °F
65253	.062"	200	135
65254	.062"	200	135
65255	.093"	200	135
66100	.093"	200	135
67173	.125"	155	103



**65187 Half Coupling** - Mount to Reservoir. For use with all bulb wells shown above.



All stock valves are supplied with a drilled and tapped internal by-pass in the regulator body. A solid plug is installed in this hole for 100% shut-off. A drilled orifice plug is packed in an envelope with each valve for field installation, if continuous minimum flow is required.