

Temperature Sensors

Normally Open (Closed on temperature rise)

Contact Rating

6 AMPS AT 120 VAC
4 AMPS AT 240 VAC

Voltage

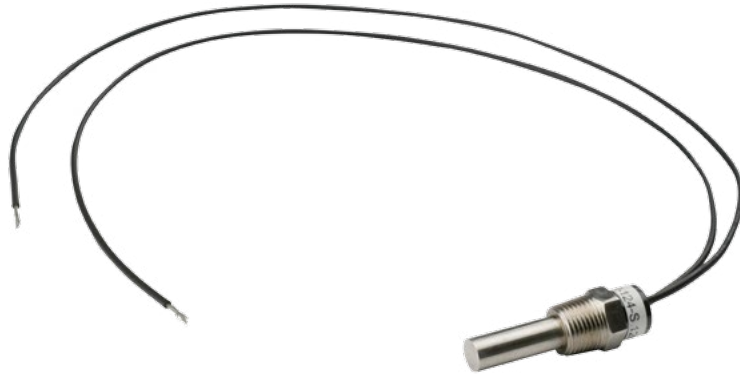
0.1 to 240 volts AC or 12 VDC
8 AMPS, 24 VDC 4 AMPS

Pressure

1,000 PSI operating

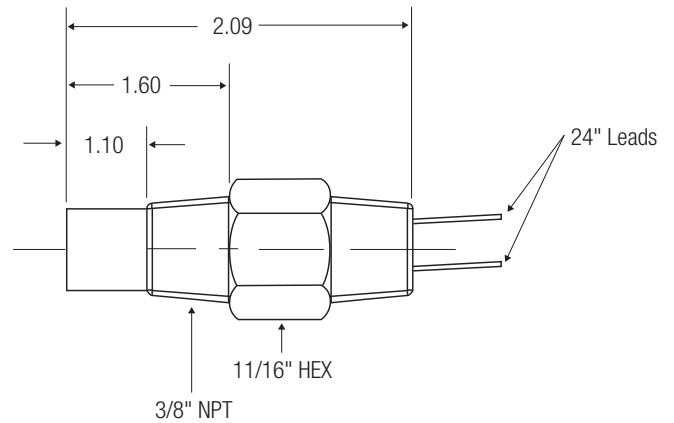
Material

303 Stainless Steel Housing



Part Number	Set Temperature (°F)
65769	140
65769	120

*Switching temperature ranges from one (1) to six (6) °F.
Other temperature settings are available. Consult factory for options.
For DC applications, do NOT wire directly to motor. (Relay needed.)



How to Order Consult factory for pricing and lead time

					-				-	Temperature Sensor
Part Number						Set Temperature				
						140				
						120				

All shipments FOB Racine, WI USA