

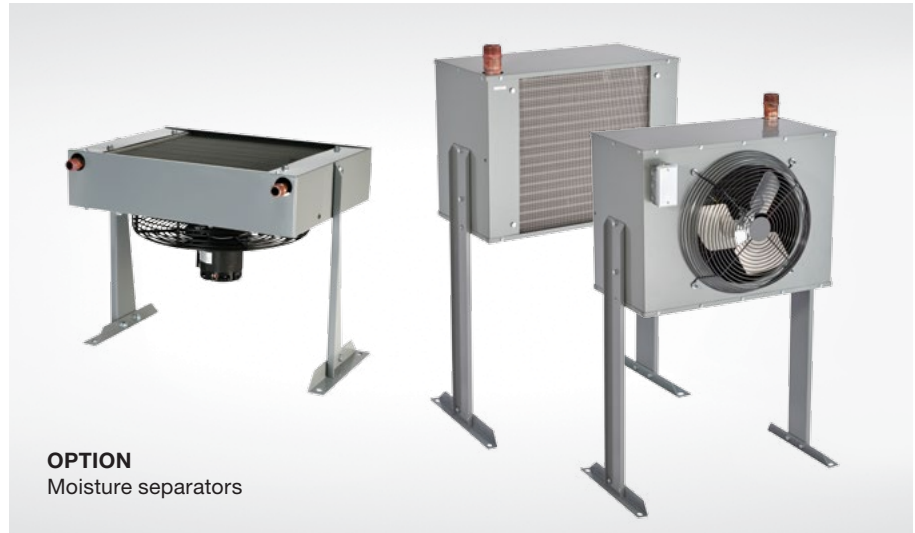
Compressed Air Cooling Air UPA Series

0916

COPPER TUBE CONSTRUCTION

Performance Notes

- Full line of sizes and features
- Energy efficient
- High performance
- Low flows to 100 CFM
- Floor or suspended mounting
- Lightweight, may be shipped UPS
- Ratings based on comprehensive testing
- Attractive, durable baked enamel finish
- Detachable legs (shipped unattached)



Ratings

Maximum Operating Pressure
250 PSI

Maximum Operating Temperature
350°F

Materials

Cabinet Steel with baked enamel finish

Core Aluminum fins on copper tubes

Fan Heavy gauge aluminum with steel hub

Motor Open vented

Fan Guard Zinc chromate plated steel

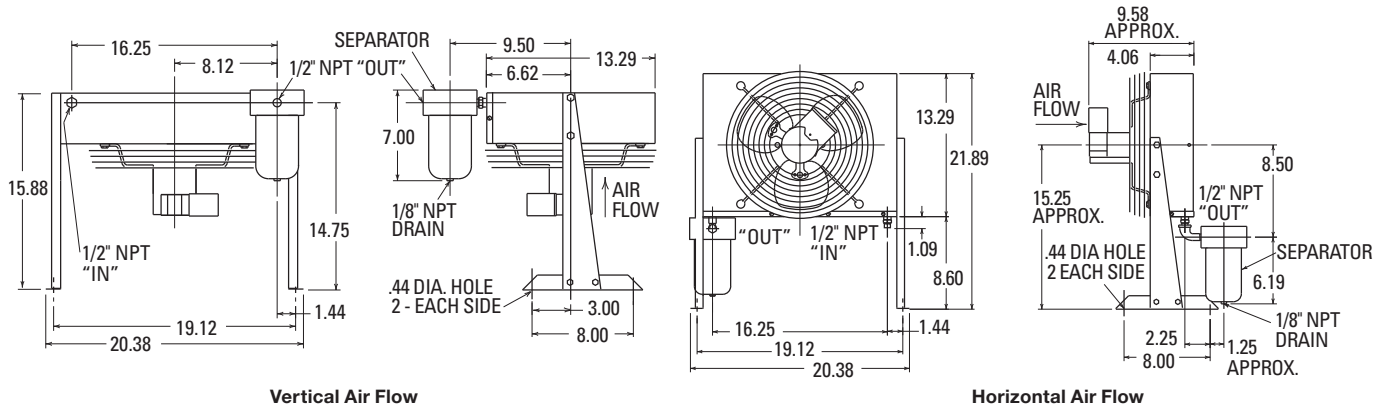
How to Order

UPA - -

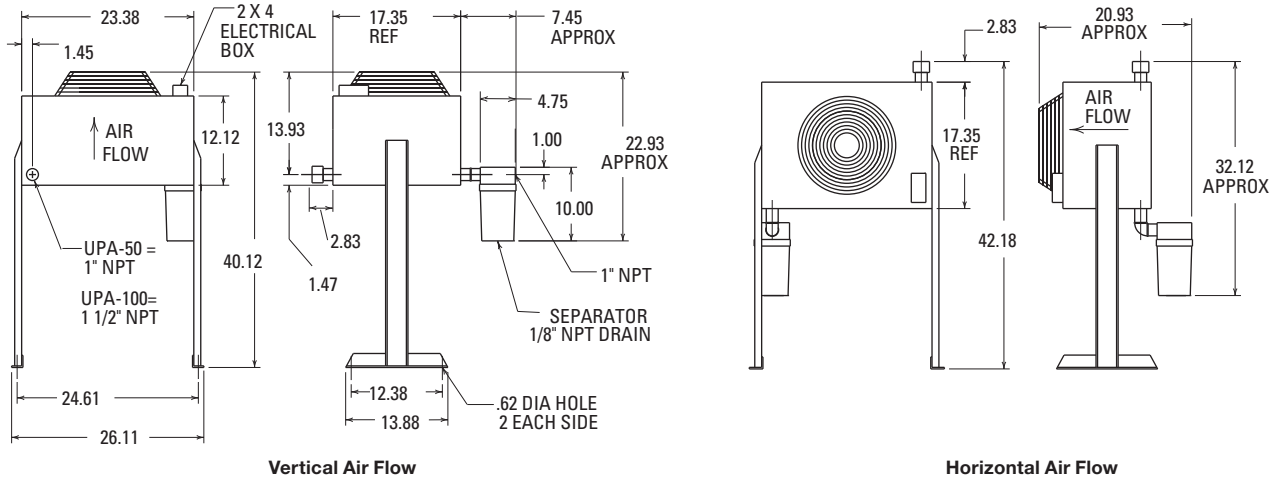
Model Series **UPA** Model Size Selected Specify Motor Required
0 - No Motor
1 - Single Phase 60 HZ ODP 115 Volt

Dimensions

Models UPA-20 & UPA-35



Models UPA-50 & UPA-100



Note: We reserve the right to make reasonable design changes without notice. All dimensions are in inches.

Capacity Selection Chart Max. SCFM @ 5, 10, 15 and 20°F Approach

| Inlet Temp. °F | 150 | | | | 200 | | | | 250 | | | | 300 | | | | 350 | | | | Recommended Optional Separator Model Number |
|----------------|-------------------|------|------|------|-----|-----|------|------|-----|----|-----|------|-----|----|-----|-----|-----|----|----|-----|---|
| | Approach Temp. °F | 5 | 10 | 15 | 20 | 5 | 10 | 15 | 20 | 5 | 10 | 15 | 20 | 5 | 10 | 15 | 20 | 5 | 10 | 15 | |
| UPA-20 | 17 | 35* | 35* | 35* | 11 | 22 | 35 | 35* | 8 | 16 | 20 | 35 | 6 | 12 | 19 | 26 | 5 | 10 | 15 | 21 | S-50M or AD |
| UPA-35 | 29 | 43* | 43* | 43* | 17 | 36 | 43* | 43* | 12 | 27 | 35 | 42* | 10 | 20 | 31 | 42* | 8 | 16 | 26 | 35 | S-50M or AD |
| UPA-50 | 43 | 72 | 72* | 72* | 28 | 50 | 70 | 72* | 22 | 35 | 50 | 70 | 18 | 32 | 45 | 57 | 15 | 28 | 39 | 50 | S-100M or AD |
| UPA-100 | 95 | 125* | 125* | 125* | 66 | 111 | 125* | 125* | 52 | 88 | 100 | 125* | 44 | 74 | 100 | 125 | 38 | 64 | 86 | 108 | S-100M or AD |

Above specifications are based on 80 to 125 PSIG operating pressures. Maximum pressure drop, less than 3 psi.

A flexible metal hose must be properly installed between the compressor and aftercooler to validate warranty.

*Maximum ratings restricted by pressure drop, actual thermal capacities are higher.

Electric Motor & Fan Data

| Model | Fan CMM | Motor HP | Voltage | Phase | Full Load Amps | HZ | RPM | Nema Frame | Thermal Overload | Approximate Shipping Weight (LBS) |
|---------|---------|----------|---------|-------|----------------|----|------|------------|------------------|-----------------------------------|
| UPA-20 | 615 | 1/12 | 115/230 | 1 | 2.4/1.2 | 60 | 1550 | Custom | Yes | 25 |
| UPA-35 | 615 | 1/12 | 115/230 | 1 | 2.4/1.2 | 60 | 1550 | Custom | Yes | 27 |
| UPA-50 | 945 | 1/12 | 115/230 | 1 | 2.7/1.4 | 50 | 1300 | Custom | Yes | 61 |
| UPA-100 | 945 | 1/12 | 115/230 | 1 | 2.7/1.4 | 50 | 1300 | Custom | Yes | 67 |

Published electrical ratings are approximate, and may vary because of motor brand. Actual ratings are on motor nameplate.