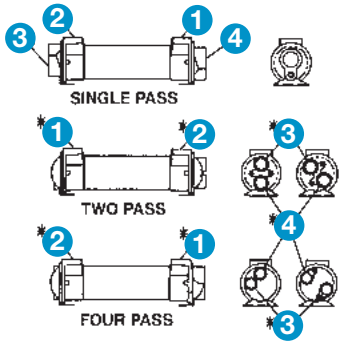
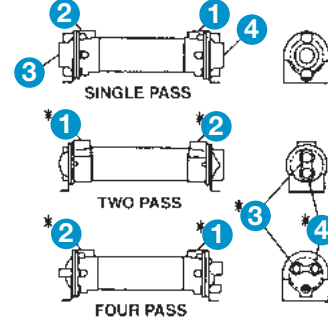


# Piping Hook-up

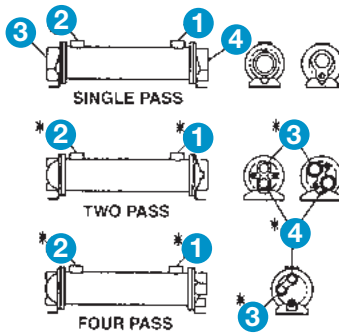
## A Series



## B Series

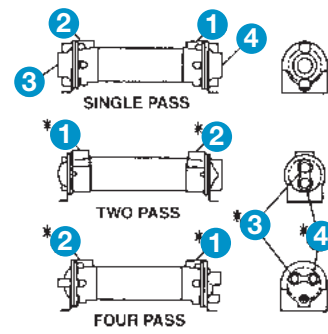


## HC / SSC / EC Series

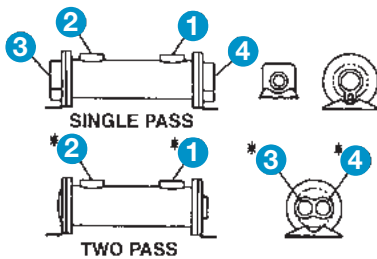


EC bonnet rotation is slightly different from what is shown. See Series literature for details.

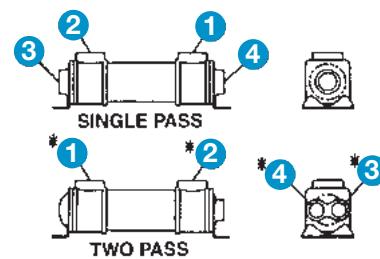
## SLE / SL / R Series



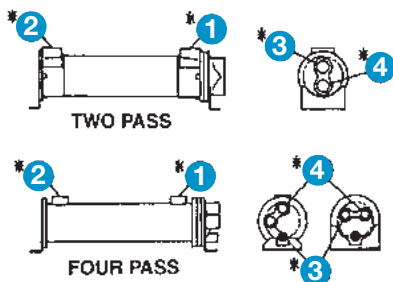
## EK / EKS / EKM Series



## K / KN Series



## U / UC / UR Series



Note baffle location when inserting bundle into shell assembly after cleaning.

- 1 Hot Fluid In
- 2 Cooled Fluid Out
- 3 Cooling Water In
- 4 Cooling Water Out

\*Note: For all two pass and four pass heat exchangers: connections 1 and 2 may be reversed, and connections 3 and 4 may be reversed with no effect on performance.