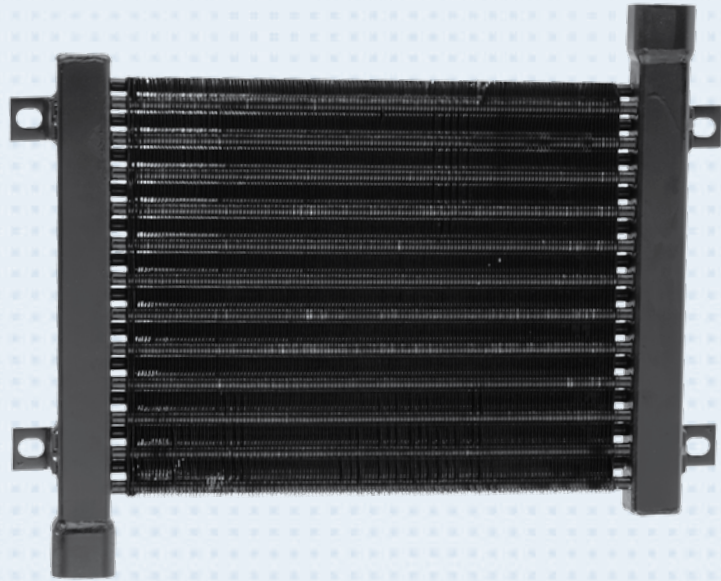


# COMPRESSED AIR COOLING | Air Belt Guard

## COPPER TUBE CONSTRUCTION

### Features

- Utilizes Air Flow from Belt Guard on Recip Compressor
- Easy to Install
- Rugged Construction
- Solid Performance
- Bolt directly on the existing belt guard (some additional support may be required)
- All steel manifolds with sturdy copper tubes and aluminum fins
- Unique turbulator inside each cooling tube assures maximum performance in a compact size



### Ratings

- Maximum Operating Pressure** 300 psi
- Maximum Operating Temperature** 350° F

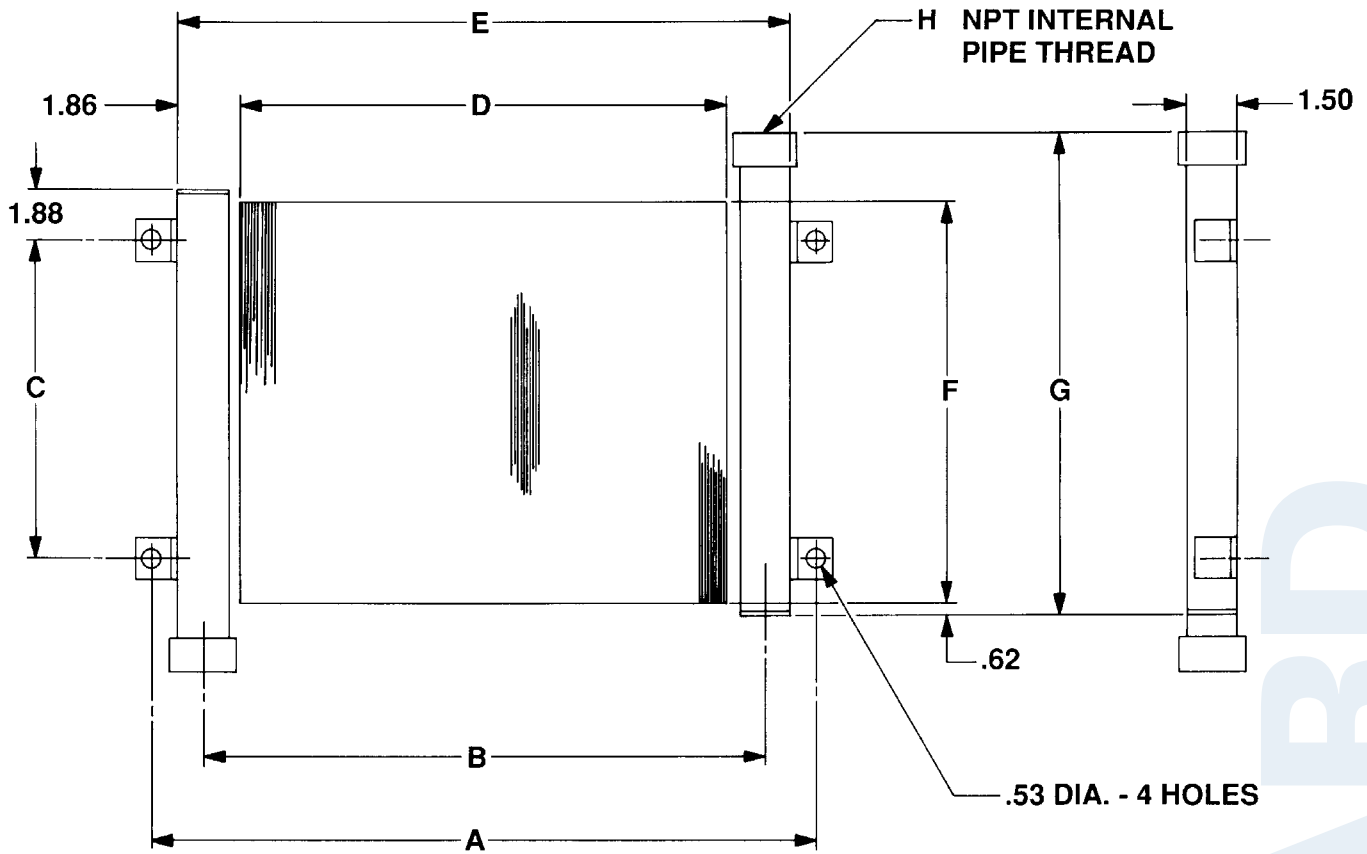
### Materials

- Tubes** Copper
- Fins** Aluminum
- Turbulators** Steel
- Manifolds** Steel

### How to Order

<b>M</b>	-	<input type="text"/>
<b>Model Series</b> M		<b>Model Size Selected</b>

# Dimensions



Model No.	A	B	C	D	E	F	G	H N.P.T.
M-15-76946	19.72	16.72	5.50	14.50	18.22	8.00	10.62	1.00
M-20-76785	19.72	16.72	9.50	14.50	18.22	12.00	14.62	1.00
M-25-76878	25.72	22.72	15.50	20.50	24.22	18.00	20.62	1.00
M-30-76941	24.72	21.72	21.50	19.50	23.22	24.00	26.56	1.25

All dimensions are inches. We reserve the right to make reasonable design changes without notice.

Model No.	Max. S.C.F.M.*	Weight - LBS.
M-15-76946	20	8
M-20-76785	35	11
M-25-76878	75	19
M-30-76941	100	25

\*Ratings are based on a 250°F inlet temperature, 100 PSIG., and 500 FPM air face velocity across the ambient side of the aftercooler. Maximum pressure drop is 3 PSI or less—all models. 25°F approach temperature.