

Compressed Air Cooling Air Belt Guard BGA Series ⁰⁹¹⁶

BRAZED ALUMINUM CONSTRUCTION

Performance Notes

- Brazed bar and plate aluminum core
- Energy efficient
- High performance
- High technology compact design
- Rugged heavy duty construction
- Excellent for heat recovery
- AKG crossover



Ratings

Maximum Operating Pressure
250 PSI

Maximum Operating Temperature
350°F

Materials

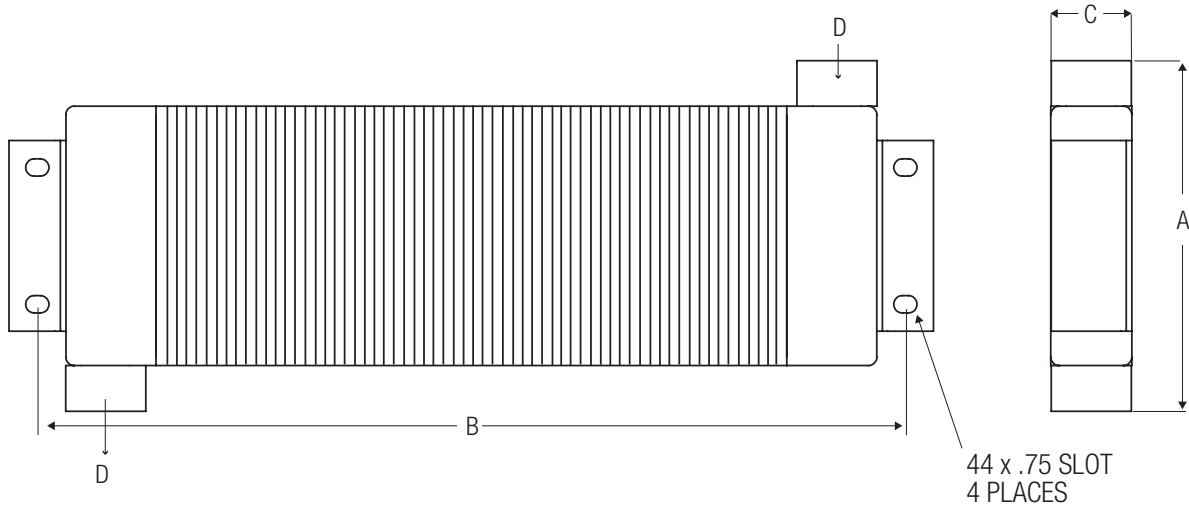
Core Brazed aluminum bar & plate

How to Order

BGA	-	<input type="text"/>	-	<input type="text"/>
Model Series BGA		Model Size Selected 35 60 100		Connection Type 1 - NPT*

*Consult factory for SAE availability.

Dimensions



Model No.	A	B	C	D NPT
BGA-35-2/1	6.81	17.68	1.77	1.00
BGA-60-2/1	8.03	17.68	1.77	1.00
BGA-100-2/1	10.43	19.65	1.77	1.00

All dimensions are inches. We reserve the right to make reasonable design changes without notice.

Model No.	Maximum SCFM*	Model Rating Approach Temperature
BGA-35-2/1	35	5°F for 18 SCFM 15°F for 35 SCFM
BGA-60-2/1	60	10°F for 35 SCFM 25°F for 60 SCFM
BGA-100-2/1	100	13°F for 70 SCFM 25°F for 100 SCFM

*Ratings are based on a 250°F inlet temperature, 100 PSIG, and 500 FPM air face velocity across the ambient side of the aftercooler.
Maximum pressure drop is 3 PSI or less—all models. 25°F approach temperature, unless stated otherwise.