

**STAINLESS STEEL PLATES
CARBON STEEL FRAME**

Performance Notes

- Gasketed plate style heat exchanger
- Oil to water applications
- High performance
- Can be disassembled for internal cleaning
- Plates can be added /removed to accommodate change in performance
- Medium to very high flows
- PED / ASME / CRN codings available
- Special plate material options: titanium, hastelloy, SMO-254, nickel, 904L
- Special gasket material options: high temp NBR (150°C), EPDM, FPM, PTFE (Teflon®)
- Plate profile options: a deep gap, lower pressure drop plates for high viscosity fluids (Type S). Select models also offer a shallower gap, higher pressure drop & performance plates (Type X).

Ratings

Design Pressure

150 psi (10.5 BAR)

Test Pressure

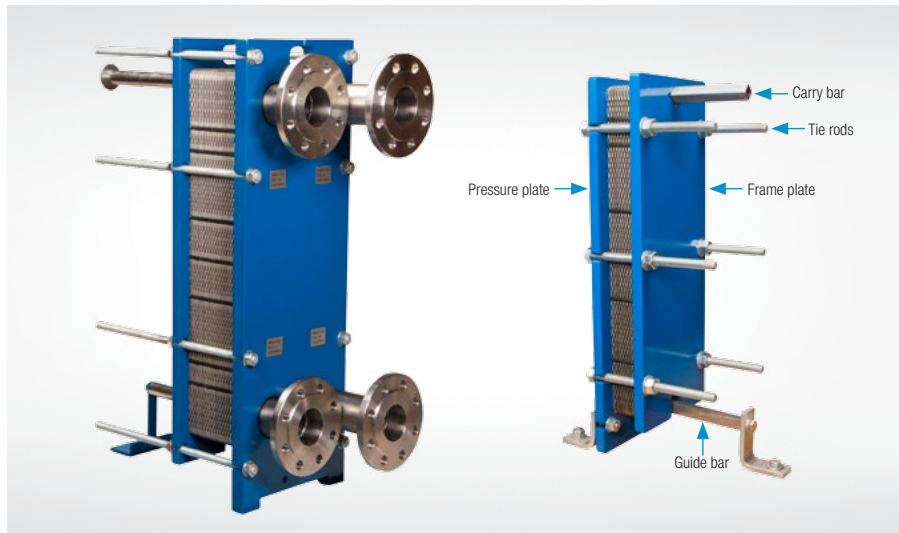
195 psi (13.4 BAR)

Design Temperature

230°F (110°C)

Minimum Working Temperature

32°F (0°C)



Materials

Internal

Plates Stainless steel

Gaskets NBR-clip

External Frame

Connections Carbon steel, stainless steel

Frame Plate Carbon steel

Pressure Plate Carbon steel

Tie Rods Zinc plated steel

Carry Bar Zinc coated steel, stainless steel

Guide Bar Zinc coated steel, stainless steel

Column (if applicable) Carbon steel, aluminum

Mounting Feet Carbon steel

Fasteners Zinc plated steel

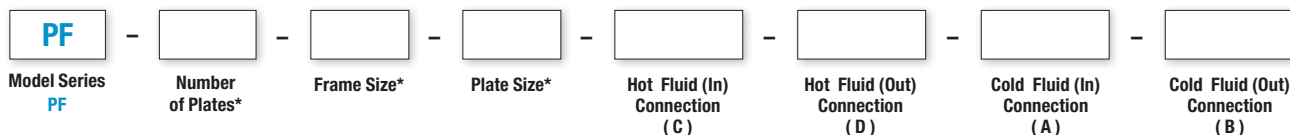
Other materials are available. Consult factory for details.

Maximum Flow Rates

Port Size	Port Type	Maximum Flow GPM (LPM)
1	NPT	61 (231)
2	NPT	245 (927)
2.5	150# studded flange	382 (1446)
3	150# studded flange	551 (2086)
4	150# studded flange	979 (3706)
6	150# studded flange	2202 (8336)

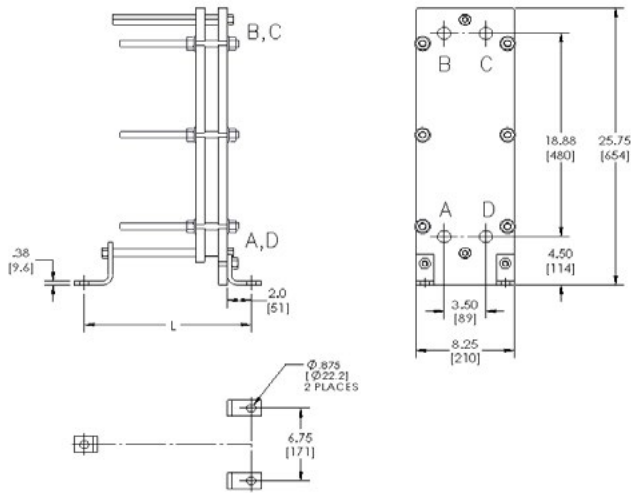
GPM listed is for maximum critical port velocity of 25 ft/s

How to Order



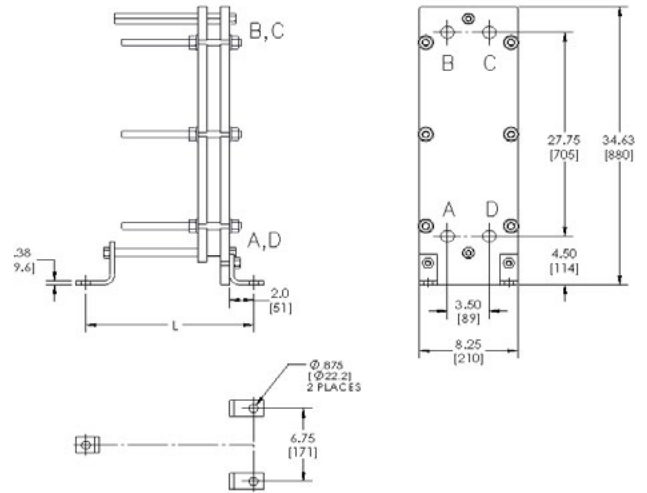
**See following pages for available cooler options*

Dimensions



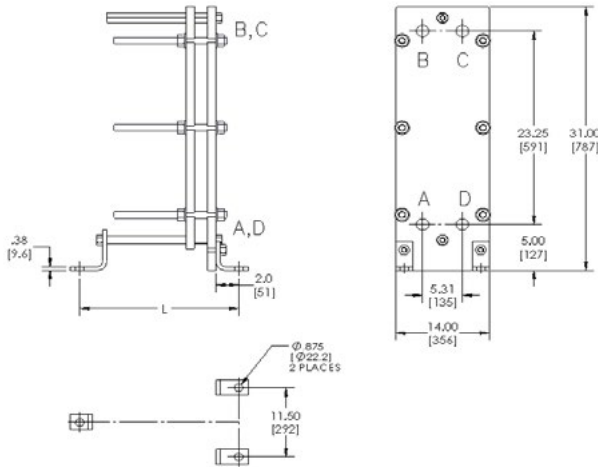
Nomenclature	Frame Size	Max No. of Plates	L	Connections
PF-NOP-200-8x26	200	34	14 (356)	1" NPT (INT)
PF-NOP-350-8x26	350	65	19.88 (505)	1" NPT (INT)
PF-NOP-500-8x26	500	99	25.88 (657)	1" NPT (INT)

NOP = Number of Plates. All dimensions are inches (millimeters).



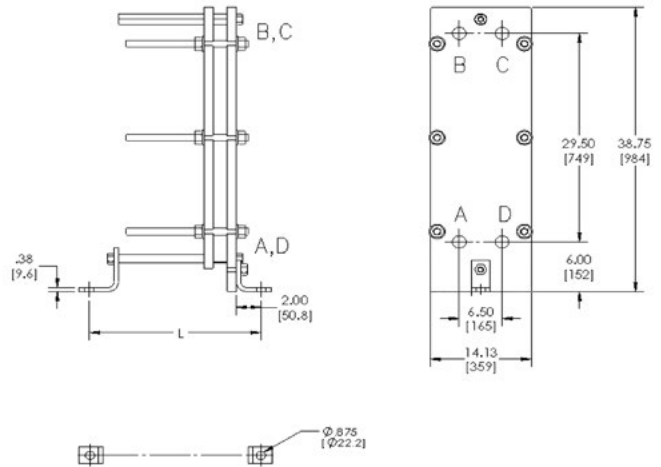
Nomenclature	Frame Size	Max No. of Plates	L	Connections
PF-NOP-200-8x35	200	37	15 (384)	1" NPT (INT)
PF-NOP-350-8x35	350	68	19.88 (505)	1" NPT (INT)
PF-NOP-500-8x35	500	99	25.88 (657)	1" NPT (INT)
PF-NOP-750-8x35	750	151	35.13 (892)	1" NPT (INT)

NOP = Number of Plates. All dimensions are inches (millimeters).



Nomenclature	Frame Size	Max No. of Plates	L	Connections
PF-NOP-350-14x31	350	30	19.13 (486)	2" NPT (INT)
PF-NOP-500-14x31	500	66	25.63 (651)	2" NPT (INT)
PF-NOP-750-14x31	750	125	35.63 (905)	2" NPT (INT)
PF-NOP-1000-14x31	1000	185	45.88 (1165)	2" NPT (INT)
PF-NOP-1250-14x31	1250	245	55.88 (1419)	2" NPT (INT)
PF-NOP-1500-14x31	1500	304	65.88 (1673)	2" NPT (INT)

NOP = Number of Plates. All dimensions are inches (millimeters).

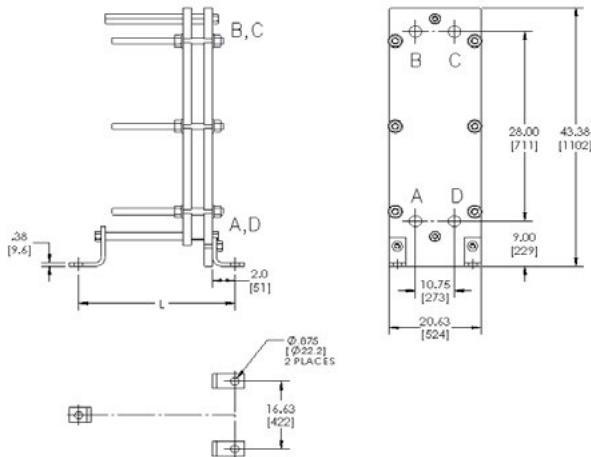


Nomenclature	Frame Size	Max No. of Plates	L	Connections
PF-NOP-200-14x39	200	30	13 (330)	2" NPT (INT)
PF-NOP-350-14x39	350	62	18.75 (476)	2" NPT (INT)
PF-NOP-500-14x39	500	100	24.75 (629)	2" NPT (INT)
PF-NOP-750-14x39	750	151	35.25 (895)	2" NPT (INT)
PF-NOP-1000-14x39	1000	176	45.5 (1156)	2" NPT (INT)
PF-NOP-1250-14x39	1250	240	55.5 (1410)	2" NPT (INT)
PF-NOP-1500-14x39	1500	303	65.5 (1664)	2" NPT (INT)

NOP = Number of Plates. All dimensions are inches (millimeters).

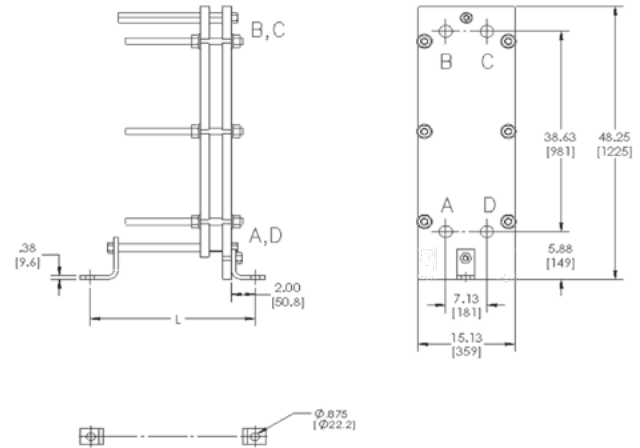
NOTE: We reserve the right to make reasonable design changes without notice.

Dimensions



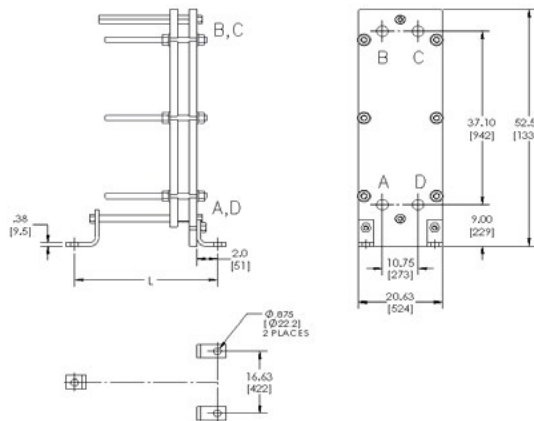
Nomenclature	Frame Size	Max No. of Plates	L	Connections
PF-NOP-500-21x43	500	43	25.5 (645)	4" 150# Studded
PF-NOP-750-21x43	750	104	35.5 (902)	4" 150# Studded
PF-NOP-1000-21x43	1000	161	45.75 (1162)	4" 150# Studded
PF-NOP-1250-21x43	1250	221	55.75 (1416)	4" 150# Studded
PF-NOP-1500-21x43	1500	283	65.75 (1670)	4" 150# Studded
PF-NOP-1750-21x43	1750	344	75.75 (1924)	4" 150# Studded
PF-NOP-2000-21x43	2000	404	85.75 (2178)	4" 150# Studded
PF-NOP-2250-21x43	2250	464	95.75 (2432)	4" 150# Studded

NOP = Number of Plates. All dimensions are inches (millimeters).



Nomenclature	Frame Size	Max No. of Plates	L	Connections
PF-NOP-500-15x48	500	63	25.25 (641)	2.5" 150# Studded
PF-NOP-750-15x48	750	99	35.25 (895)	2.5" 150# Studded
PF-NOP-1000-15x48	1000	116	45.5 (1156)	2.5" 150# Studded
PF-NOP-1250-15x48	1250	160	55.5 (1410)	2.5" 150# Studded
PF-NOP-1500-15x48	1500	203	65.5 (1664)	2.5" 150# Studded
PF-NOP-1750-15x48	1750	247	75.5 (1918)	2.5" 150# Studded
PF-NOP-2000-15x48	2000	291	85.5 (2172)	2.5" 150# Studded
PF-NOP-2250-15x48	2250	335	95.5 (2426)	2.5" 150# Studded

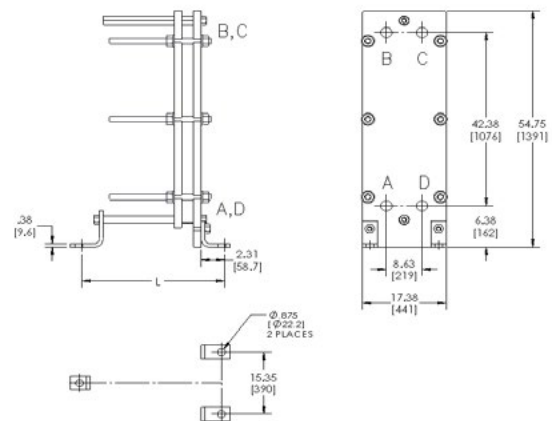
NOP = Number of Plates. All dimensions are inches (millimeters).



Nomenclature	Frame Size	Max No. of Plates	L	Connections
PF-NOP-500-21x52	500	37	25.5 (645)	4" 150# Studded
PF-NOP-750-21x52	750	97	35.5 (902)	4" 150# Studded
PF-NOP-1000-21x52	1000	159	45.75 (1162)	4" 150# Studded
PF-NOP-1250-21x52	1250	218	55.75 (1416)	4" 150# Studded
PF-NOP-1500-21x52	1500	280	65.75 (1670)	4" 150# Studded
PF-NOP-1750-21x52	1750	340	75.75 (1924)	4" 150# Studded
PF-NOP-2000-21x52	2000	401	85.75 (1162)	4" 150# Studded
PF-NOP-2250-21x52	2250	462	95.75 (2432)	4" 150# Studded

NOP = Number of Plates. All dimensions are inches (millimeters).

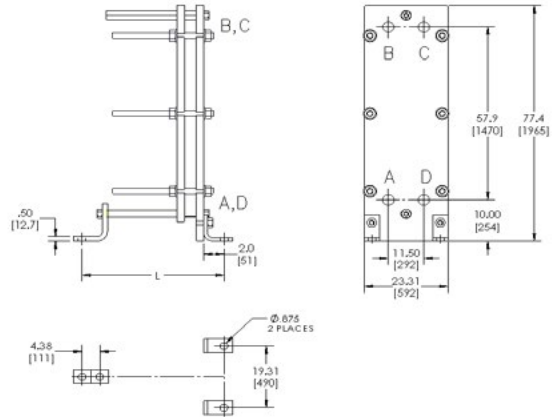
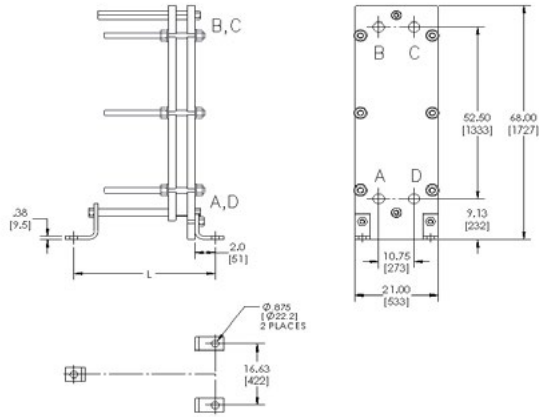
NOTE: We reserve the right to make reasonable design changes without notice.



Nomenclature	Frame Size	Max No. of Plates	L	Connections
PF-NOP-500-17x55	500	17	26.31 (668)	3" 150# Studded
PF-NOP-750-17x55	750	60	36.31 (922)	3" 150# Studded
PF-NOP-1000-17x55	1000	103	46.56 (1183)	3" 150# Studded
PF-NOP-1250-17x55	1250	146	56.56 (1437)	3" 150# Studded
PF-NOP-1500-17x55	1500	189	66.56 (1691)	3" 150# Studded
PF-NOP-1750-17x55	1750	232	76.56 (1945)	3" 150# Studded
PF-NOP-2000-17x55	2000	275	86.56 (1437)	3" 150# Studded
PF-NOP-2250-17x55	2250	366	106.56 (2707)	3" 150# Studded

NOP = Number of Plates. All dimensions are inches (millimeters).

Dimensions



Nomenclature	Frame Size	Max No. of Plates	L	Connections
PF-NOP-500-21x68	500	43	25.63 (651)	4" 150# Studded
PF-NOP-750-21x68	750	105	35.63 (905)	4" 150# Studded
PF-NOP-1000-21x68	1000	157	45.88 (1165)	4" 150# Studded
PF-NOP-1250-21x68	1250	218	55.88 (1419)	4" 150# Studded
PF-NOP-1500-21x68	1500	278	65.88 (1673)	4" 150# Studded
PF-NOP-1750-21x68	1750	339	75.88 (1927)	4" 150# Studded
PF-NOP-2000-21x68	2000	399	85.88 (2181)	4" 150# Studded
PF-NOP-2250-21x68	2250	460	95.88 (2435)	4" 150# Studded

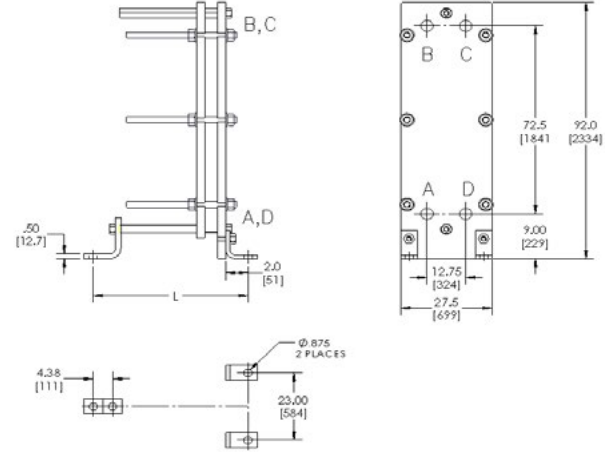
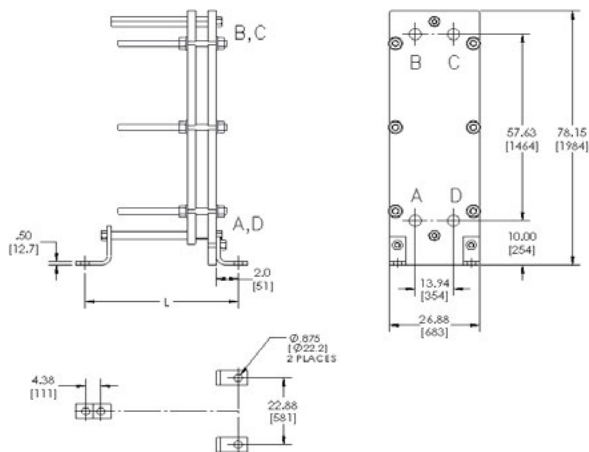
NOP = Number of Plates. All dimensions are inches (millimeters).

Nomenclature	Frame Size	Max No. of Plates	L	Connections
PF-NOP-750-23x77	750	29	36.34 (923)	6" 150# Studded
PF-NOP-1000-23x77	1000	68	46.09 (1171)	6" 150# Studded
PF-NOP-1250-23x77	1250	107	56.09 (1425)	6" 150# Studded
PF-NOP-1500-23x77	1500	147	66.09 (1679)	6" 150# Studded
PF-NOP-1750-23x77	1750	187	76.09 (1933)	6" 150# Studded
PF-NOP-2000-23x77	2000	227	86.09 (2187)	6" 150# Studded
PF-NOP-2250-23x77	2250	266	96.09 (2241)	6" 150# Studded
PF-NOP-2500-23x77	2500	306	106.09 (2695)	6" 150# Studded
PF-NOP-2750-23x77	2750	346	116.09 (2949)	6" 150# Studded
PF-NOP-3000-23x77	3000	386	126.09 (3203)	6" 150# Studded
PF-NOP-3250-23x77	3250	426	136.09 (3457)	6" 150# Studded
PF-NOP-3500-23x77	3500	466	146.09 (3711)	6" 150# Studded
PF-NOP-3750-23x77	3750	506	156.09 (3965)	6" 150# Studded

NOP = Number of Plates. All dimensions are inches (millimeters).

NOTE: We reserve the right to make reasonable design changes without notice.

Dimensions



Nomenclature	Frame Size	Max No. of Plates	L	Connections
PF-NOP-750-27x78	750	29	37.38 (949)	6" 150# Studded
PF-NOP-1000-27x78	1000	68	47.13 (1197)	6" 150# Studded
PF-NOP-1250-27x78	1250	107	57.13 (1451)	6" 150# Studded
PF-NOP-1500-27x78	1500	147	67.13 (1705)	6" 150# Studded
PF-NOP-1750-27x78	1750	187	77.13 (1959)	6" 150# Studded
PF-NOP-2000-27x78	2000	227	87.13 (2213)	6" 150# Studded
PF-NOP-2250-27x78	2250	266	97.13 (2467)	6" 150# Studded
PF-NOP-2500-27x78	2500	306	107.13 (2721)	6" 150# Studded
PF-NOP-2750-27x78	2750	346	117.13 (2975)	6" 150# Studded
PF-NOP-3000-27x78	3000	386	127.13 (3229)	6" 150# Studded
PF-NOP-3250-27x78	3250	426	137.13 (3483)	6" 150# Studded
PF-NOP-3500-27x78	3500	466	147.13 (3737)	6" 150# Studded
PF-NOP-3750-27x78	3750	506	157.13 (3991)	6" 150# Studded
PF-NOP-4000-27x78	4000	546	167.13 (4245)	6" 150# Studded

NOP = Number of Plates. All dimensions are inches (millimeters).

Nomenclature	Frame Size	Max No. of Plates	L	Connections
PF-NOP-750-27x92	750	29	36.63 (930)	6" 150# Studded
PF-NOP-1000-27x92	46.38	68	46.38 (1178)	6" 150# Studded
PF-NOP-1250-27x92	56.38	107	56.38 (1432)	6" 150# Studded
PF-NOP-1500-27x92	66.38	147	66.38 (1686)	6" 150# Studded
PF-NOP-1750-27x92	76.38	187	76.38 (1940)	6" 150# Studded
PF-NOP-2000-27x92	86.38	227	86.38 (2194)	6" 150# Studded
PF-NOP-2250-27x92	96.38	266	96.38 (2448)	6" 150# Studded
PF-NOP-2500-27x92	106.38	306	106.38 (2702)	6" 150# Studded
PF-NOP-2750-27x92	116.38	346	116.38 (2956)	6" 150# Studded
PF-NOP-3000-27x92	126.38	386	126.38 (3210)	6" 150# Studded
PF-NOP-3250-27x92	136.38	426	136.38 (3464)	6" 150# Studded
PF-NOP-3500-27x92	146.38	466	146.38 (3718)	6" 150# Studded
PF-NOP-3750-27x92	156.38	506	156.38 (3972)	6" 150# Studded
PF-NOP-4000-27x92	166.38	546	166.38 (4226)	6" 150# Studded

NOP = Number of Plates. All dimensions are inches (millimeters).

NOTE: We reserve the right to make reasonable design changes without notice.