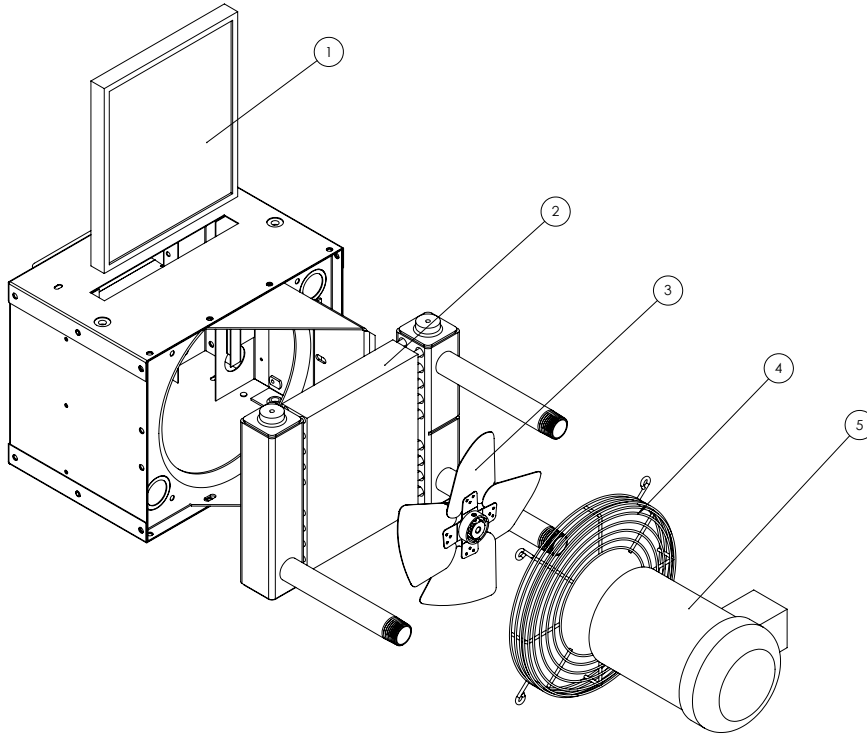


AOF Series Service Parts



Item Number	Description	Qty.
1	Filter	1
2	Core Assembly	1
3	Fan Blade	1
4	Fan Guard	1
5	Electric Motor	1

Service Parts

Model	1 - Replacement Air Filters		2 - Core Assemblies	4 - Fan Blades	3 - Fan Guard	5 - Motor		
	Fiberglass Disposable Type	Aluminum Washable Type				115/230 Volt	208-230/460 Volt	575 Volt
AOF-5	65528	65559	SP45913	65527	65373	66004	65716	66326
AOF-10	65530	65560	SP45914					
AOF-15	65507	65561	SP45915	65529	65375	66015	65714	66420
AOF-20	65532	65562	SP45916	65531	65331	65939		
AOF-25	65519	65563	SP45917	65533	65383	65783	65708	66419
AOF-30	65535	65564	SP45918	65534	65384			
AOF-35	65537	65565	SP45919	65536	65385	N/A	65712	66421
AOF-40	65543	65566	SP45920	65538	65380	N/A		

All fan blades can also be used for explosion proof motors, except the AO-25 and AO-30.
 For AO-25 and AO-30 models, please use the following Fan Blade PN:
 AO-25 Part No. 65398
 AO-30 Part No. 65424

Order by part number